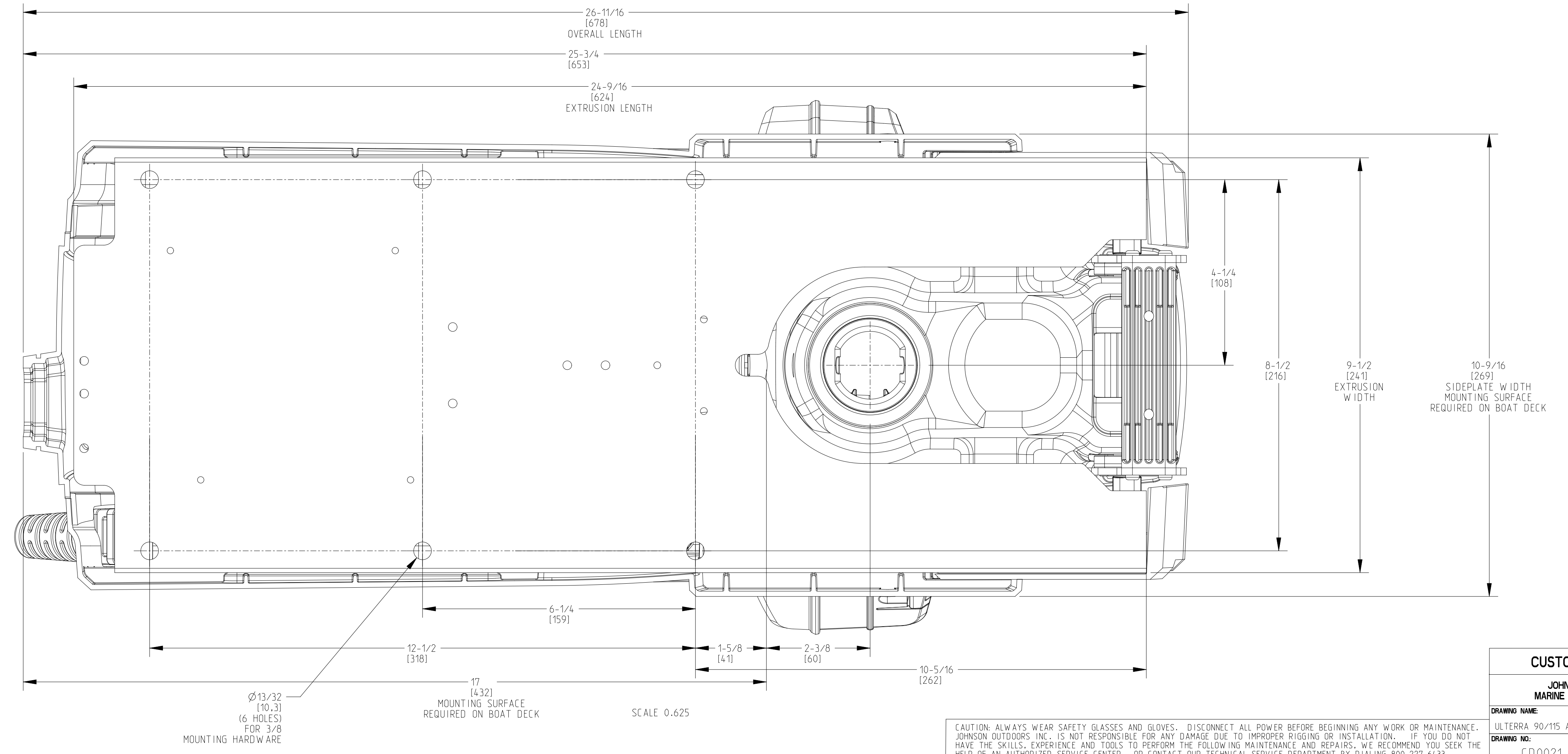
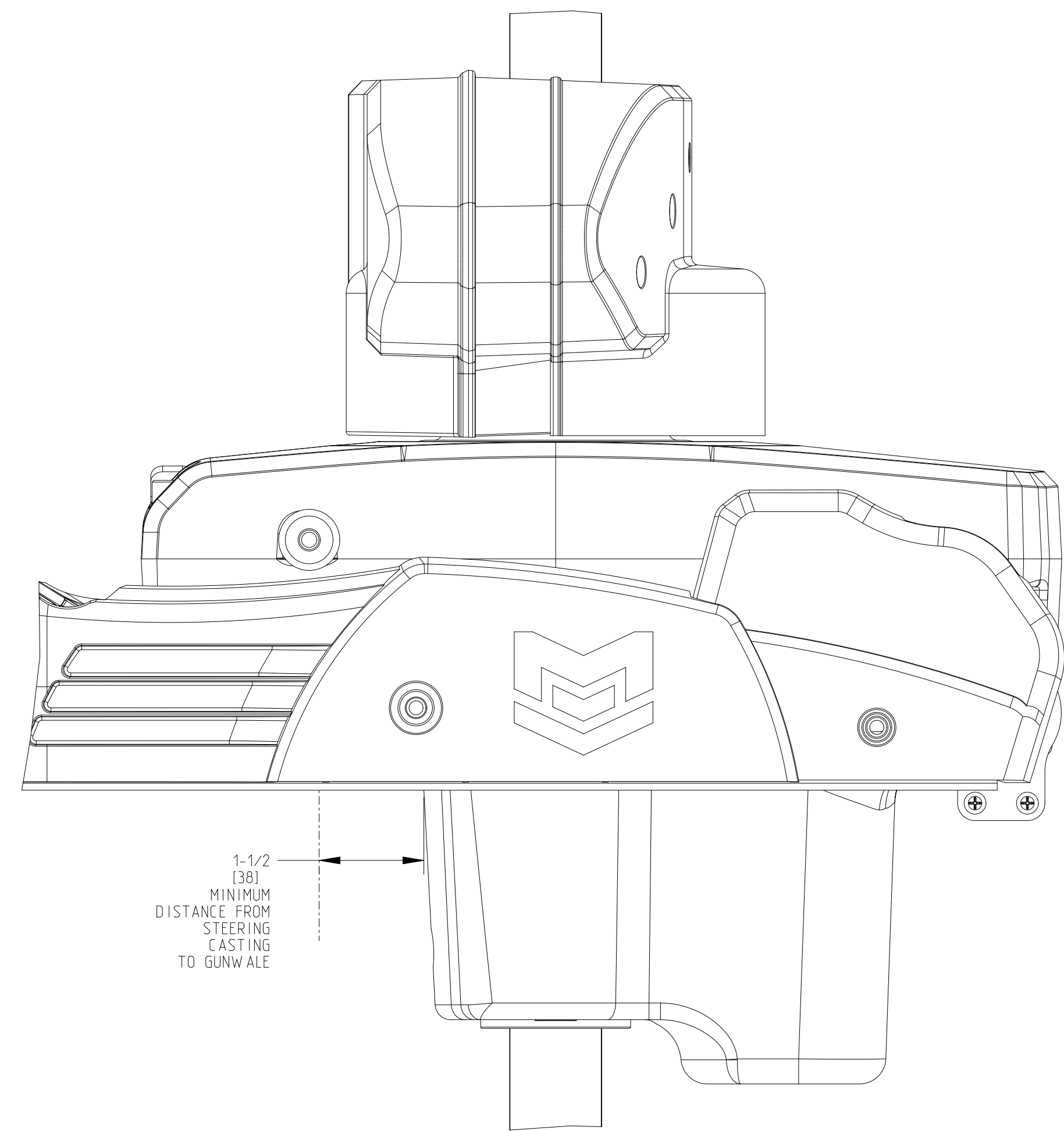
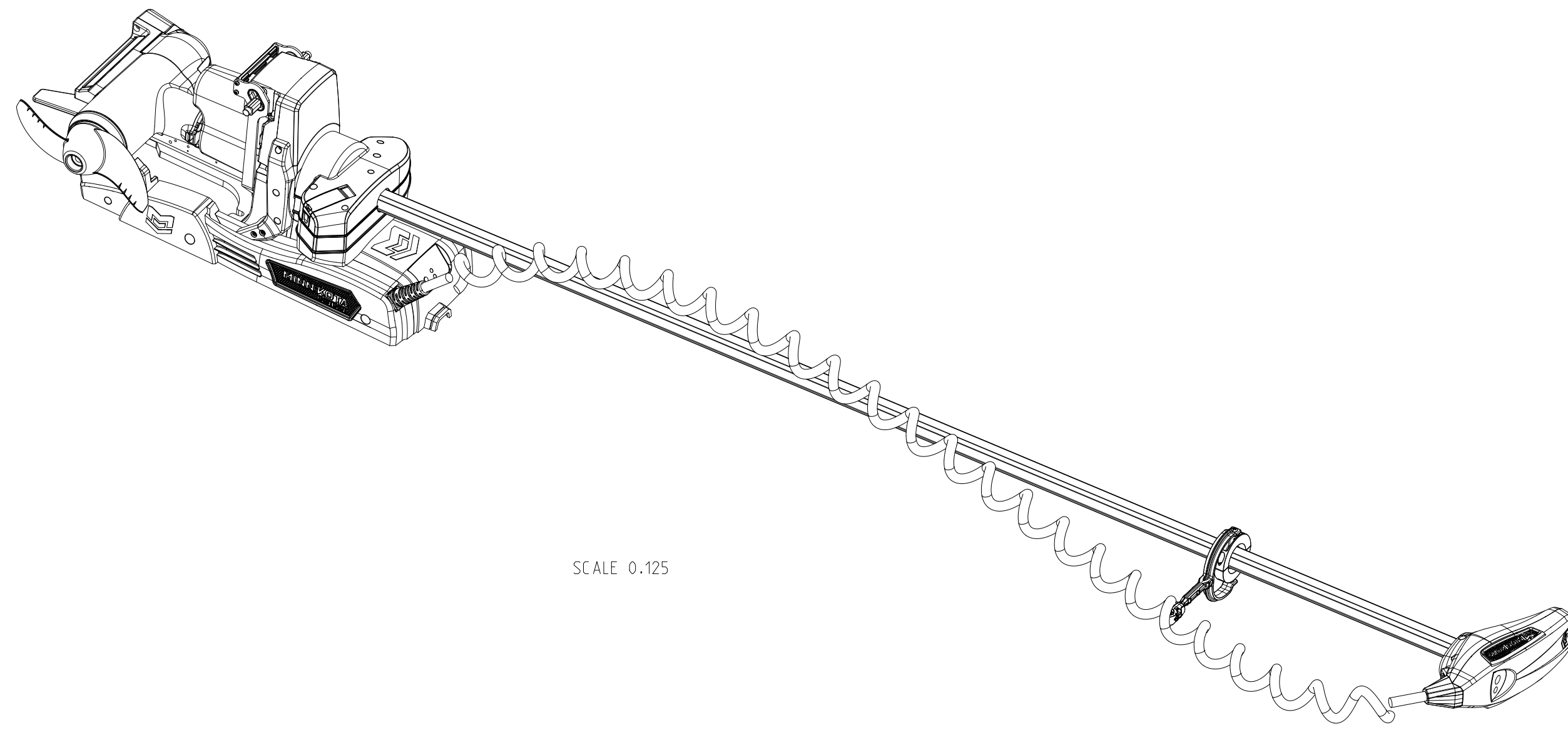


REV. ECN NO.		REVISIONS	DESCRIPTION	BY	DATE
A	43947	RELEASE FOR PRODUCTION		STS	30MAY2023
B	44102	FORMAT AND DIMENSION CHANGES		STS	05JUL2023



NOTES:  
 - RECOMMENDED DRILL SIZE FOR MOTOR MOUNT HOLES 13/32 DIA  
 - MOUNTING HARDWARE TO BE 3/8-16 FASTENERS

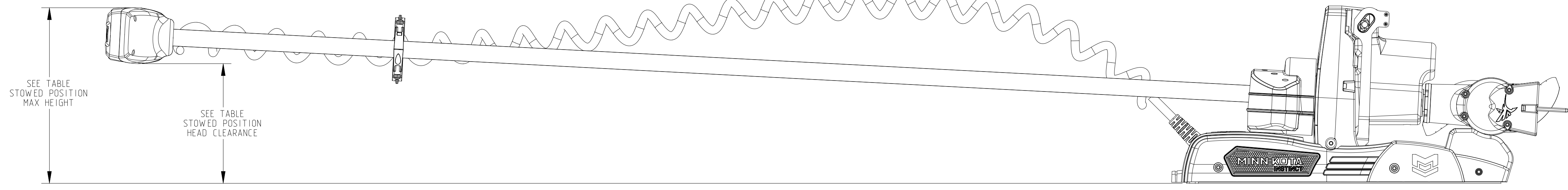
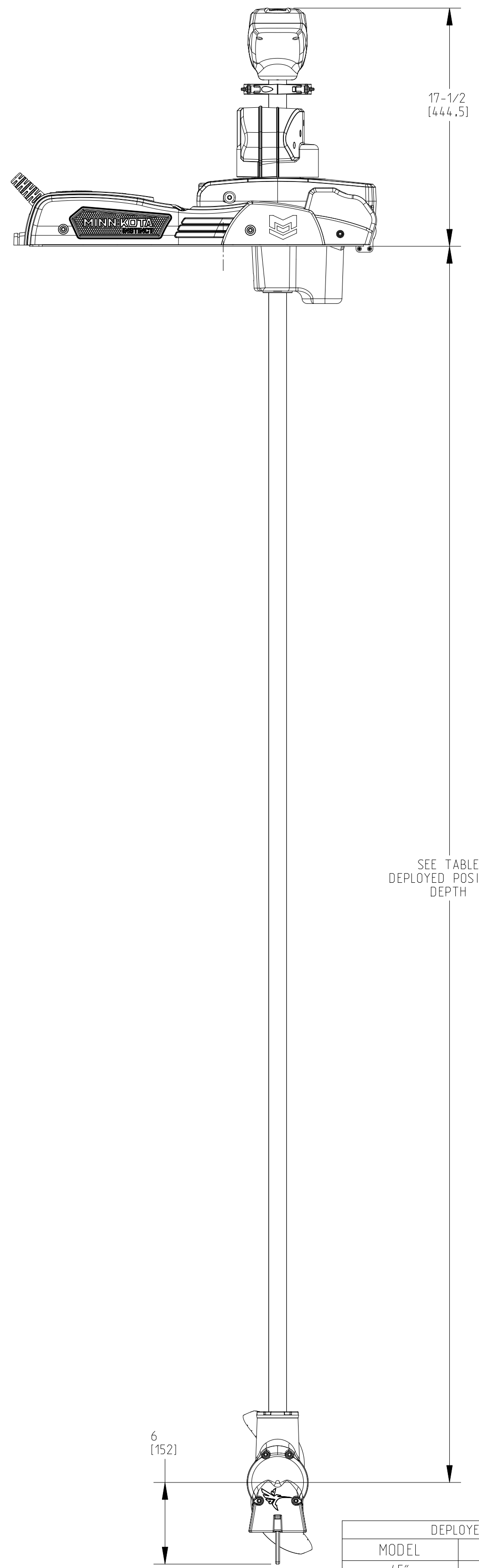
CAUTION: ALWAYS WEAR SAFETY GLASSES AND GLOVES. DISCONNECT ALL POWER BEFORE BEGINNING ANY WORK OR MAINTENANCE. JOHNSON OUTDOORS INC. IS NOT RESPONSIBLE FOR ANY DAMAGE DUE TO IMPROPER RIGGING OR INSTALLATION. IF YOU DO NOT HAVE THE SKILLS, EXPERIENCE AND TOOLS TO PERFORM THE FOLLOWING MAINTENANCE AND REPAIRS, WE RECOMMEND YOU SEEK THE HELP OF AN AUTHORIZED SERVICE CENTER. OR CONTACT OUR TECHNICAL SERVICE DEPARTMENT BY DIALING 800-227-6433.

**CUSTOMER DRAWING**

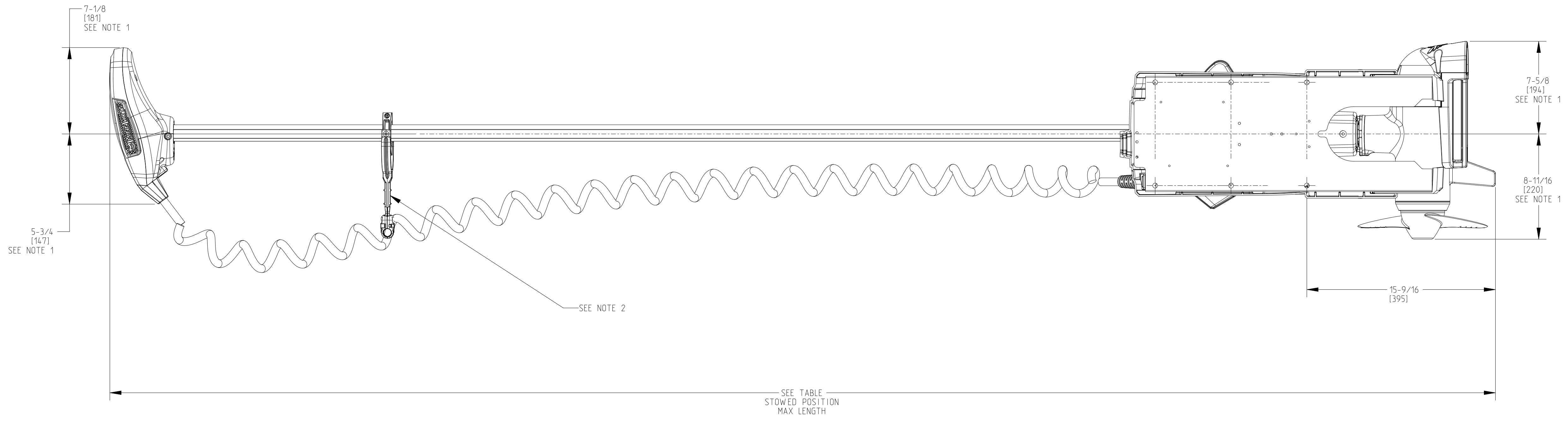
JOHNSON OUTDOORS  
MARINE ELECTRONICS, INC.

DRAWING NAME: ULTERRA 90/115 AND INSTINCT 90/115	D size
DRAWING NO: CD0021	REV: B
SHEET 1 OF 2	U/A: IN. [MM]

REV. ECN NO.		REVISIONS DESCRIPTION	BY	DATE



SCALE 0.200



DEPLOYED POSITION	
MODEL	DEPTH
45°	37-1/4 [946]
60°	51-3/4 [1315]
72°	62-7/8 [1597]
87°	78-1/4 [1988]
100°	90-3/4 [2305]

STOWED POSITION			
MODEL	MAX LENGTH	HEAD CLEARANCE	MAX HEIGHT
45°	16-1/16 [1551]	6-9/16 [167]	10-15/16 [278]
60°	24-15/16 [1903]	7-5/16 [185]	11-11/16 [296]
72°	85-5/16 [2192]	7-7/8 [200]	12-1/4 [311]
87°	101-1/4 [2572]	8-11/16 [220]	13-1/16 [331]
100°	114-1/4 [2902]	9-3/8 [237]	13-3/4 [349]

- NOTES:
- MOTOR CAN BE ORIENTED WITH PROP ON EITHER SIDE OF MOUNT.
  - COIL CORD SUPPORT PROVIDED WITH 72° AND LONGER MOTORS ONLY. COIL CORD SUPPORT MAY BE INSTALLED ON SHORTER LENGTH SHAFT MOTORS.

CAUTION: ALWAYS WEAR SAFETY GLASSES AND GLOVES. DISCONNECT ALL POWER BEFORE BEGINNING ANY WORK OR MAINTENANCE. JOHNSON OUTDOORS, INC. IS NOT RESPONSIBLE FOR ANY DAMAGE DUE TO IMPROPER RIGGING OR INSTALLATION. IF YOU DO NOT HAVE THE SKILLS, EXPERIENCE AND TOOLS TO PERFORM THE FOLLOWING MAINTENANCE AND REPAIRS, WE RECOMMEND YOU SEEK THE HELP OF AN AUTHORIZED SERVICE CENTER. OR CONTACT OUR TECHNICAL SERVICE DEPARTMENT BY DIALING 800-227-6433.

**CUSTOMER DRAWING**

JOHNSON OUTDOORS  
MARINE ELECTRONICS, INC.

DRAWING NAME: ULTERRA 90/115 AND INSTINCT 90/115  
DRAWING NO: CD0021  
SHEET OF: 1  
U/A: IN. (MM)  
REV: B

D

C

B

A